

2.54mm P.C.B. Connector

CONNECTOR PART NO:2253S

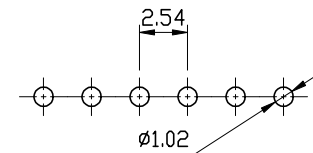
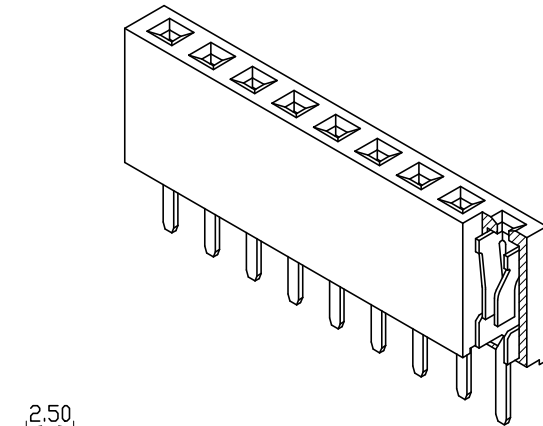
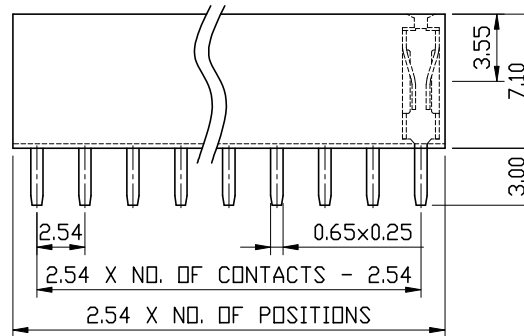
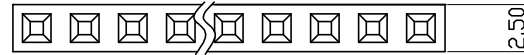
- Pitch: 2.54mm
- Poles: 2-40
- Material:
 Contact Material: Phosphor Bronze
 Contact Plating: Gold/Tin over Nickel
 Insulation Material: Glass Filled Polyester
 UL 94V-0

Features & Benefits

- For low profile: 7.1mm applications
- High quality dual beam phosphor bronze contacts
- Standoffs facilitate post soldering clean
- Mate with 2.54mm pin headers

Specifications

- Current Range: 3Amp
- Insulation Resistance: 5000m Ω Min.
- Dielectric Withstanding: 600V AC
- Contact Resistance: 20mΩ Max.
- Operating Temperature: -40°C to +105°C



P.C. Board Hole Layout

HO TIEN PRECISION INDUSTRY CO.,LTD.
 合田精密工業股份有限公司

RECORD OF REVISION / 修定內容	REV.BY / 修定者	REV. DATE / 修定日期	PART NO. / 型號	2253S	APPROVED BY / 核准	
			METERIAL / 材質		CHECKED BY / 審查	
			TREATMENT / 表面處理		DRAWN / 製圖	
			CUSTOMER / 客戶名稱		DATE / 製圖日期	
			UNIT / 單位	mm	SCALE / 比例	1/4
					DRAWING TYPE / 圖面種類	