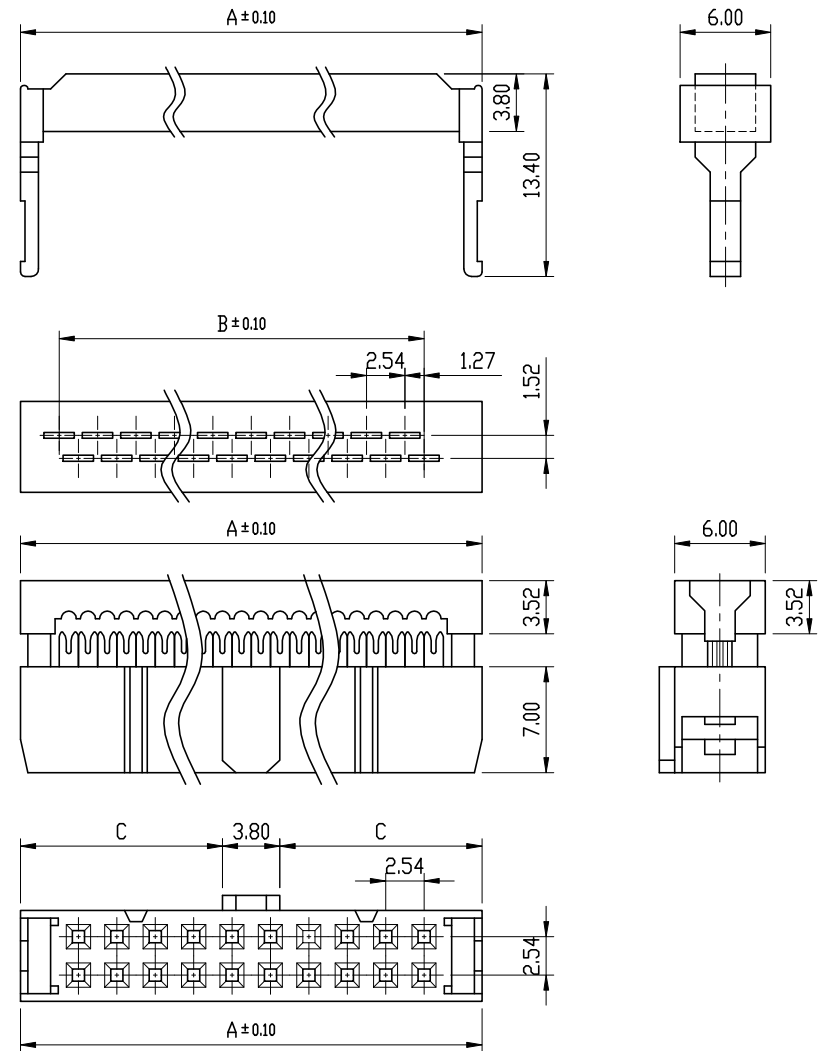


# IDC SOCKET DUAL ROW

## PART NO: I-S-XX

- Material:  
Contact(stamp): Phosphor Bronze  
Gold Plated Over Nickel  
Insulator: PBT & Glass-fibre reinforced  
UL94V-0
- Current Rating: 1AMP DC
- Contact Resistance:  
30mΩ max at 6V DC 0.3A
- Insulation Resistance:  
1,000mΩ min at 500V DC
- Dielectric With Standing Voltage:  
500V AC of one minute
- Wire Size Flat Cable For 1DC:  
1.27mm Spacing  
Awg #28~30



CIRCUITS	PART NO.	DIMENSION			CIRCUITS	PART NO.	DIMENSION		
		A	B	C			A	B	C
8	I-S-8-N	15.28	7.62	5.74	30	I-S-30-N	43.22	35.56	19.71
10	I-S-10-N	17.82	10.16	7.01	34	I-S-34-N	48.30	40.64	22.25
14	I-S-14-N	22.90	15.24	9.55	40	I-S-40-N	65.92	48.26	31.06
16	I-S-16-N	25.44	17.78	10.82	50	I-S-50-N	68.62	60.96	32.41
20	I-S-20-N	30.52	22.86	13.36	60	I-S-60-N	81.32	73.66	38.76
24	I-S-24-N	35.60	27.94	15.90	64	I-S-64-N	86.40	78.74	41.30
26	I-S-26-N	38.14	30.48	17.17					

HO TIEN PRECISION INDUSTRY CO., LTD.  
合田精密工業股份有限公司

RECORD OF REVISION / 修定内容	REV.BY / 修定者	REV. DATE / 修定日期	PART NO. / 型號	I-S-XX	APPROVED BY / 核准
			MATERIAL / 材質		CHECKED BY / 審查
			TREATMENT / 表面處理		DRAWN / 製圖
			CUSTOMER / 客戶名稱		DATE / 製圖日期
			UNIT / 單位	mm	SCALE / 比例
				1/5	DRAWING TYPE / 圖面種類