

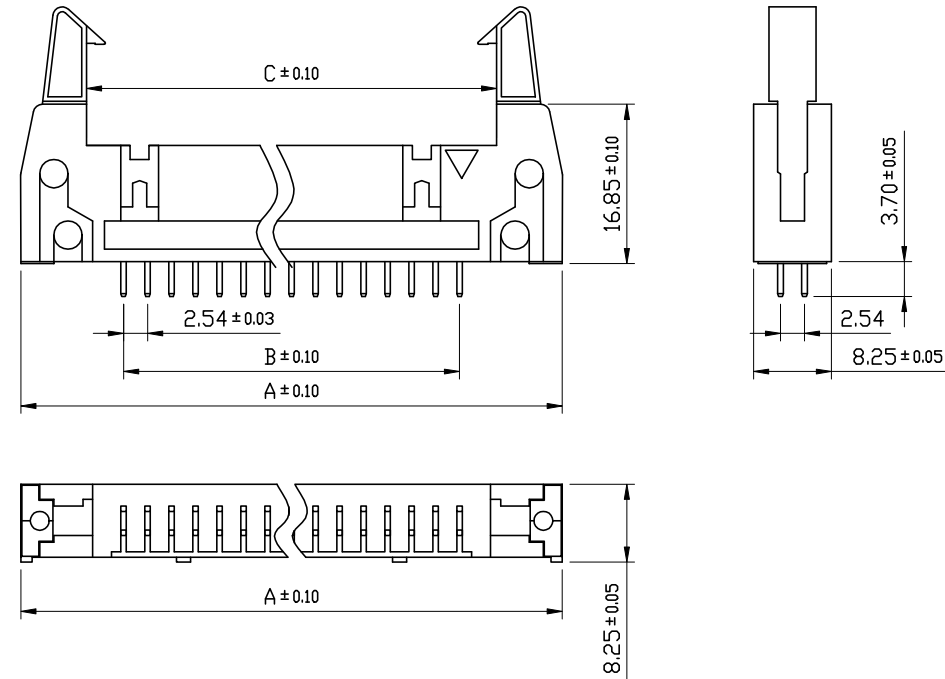
I-J-XXPIN-N Series

PART NO: I-J-XX-N

- Material:
Insulator: P.B.T. 30%Glass Fiber, UL94V-0
Contacts: Brass, Phos. Bronze,
Gold Flash Over Nickel
- Pitch: 2.54mm

SPECIFICATIONS

- Current Rating: 1A AC/DC
- Insulation Resistance: 1,000 mΩ min
- Withstand Voltage: 500V AC/min
- Temperature Range: -55° C~+105° C



CIRCUITS	PART NO.	DIMENSION			CIRCUITS	PART NO.	DIMENSION		
		A	B	C			A	B	C
10	I-J-10-N	31.90	10.16	18.00	30	I-J-30-N	57.40	35.56	43.40
12	I-J-12-N	34.60	12.70	20.54	34	I-J-34-N	62.38	40.64	48.48
14	I-J-14-N	36.98	15.24	23.08	40	I-J-40-N	70.00	48.26	56.10
16	I-J-16-N	39.52	17.78	25.62	50	I-J-50-N	82.70	60.96	68.80
20	I-J-20-N	44.60	22.86	30.70	60	I-J-60-N	95.60	73.66	81.82
24	I-J-24-N	49.68	27.94	35.78	64	I-J-64-N	100.70	78.74	86.90
26	I-J-26-N	52.15	30.48	38.32					

HO TIEN PRECISION INDUSTRY CO., LTD.
合田精密工業股份有限公司

RECORD OF REVISION / 修定內容	REV.BY / 修定者	REV. DATE / 修定日期	PART NO. / 型號	I-J-XX-N	APPROVED BY / 核准	
			METERIAL / 材質		CHECKED BY / 審查	
			TREATMENT / 表面處理		DRAWN / 製圖	
			CUSTOMER / 客戶名稱		DATE / 製圖日期	
			UNIT / 單位	mm	SCALE / 比例	1/8
					DRAWING TYPE / 圖面種類	

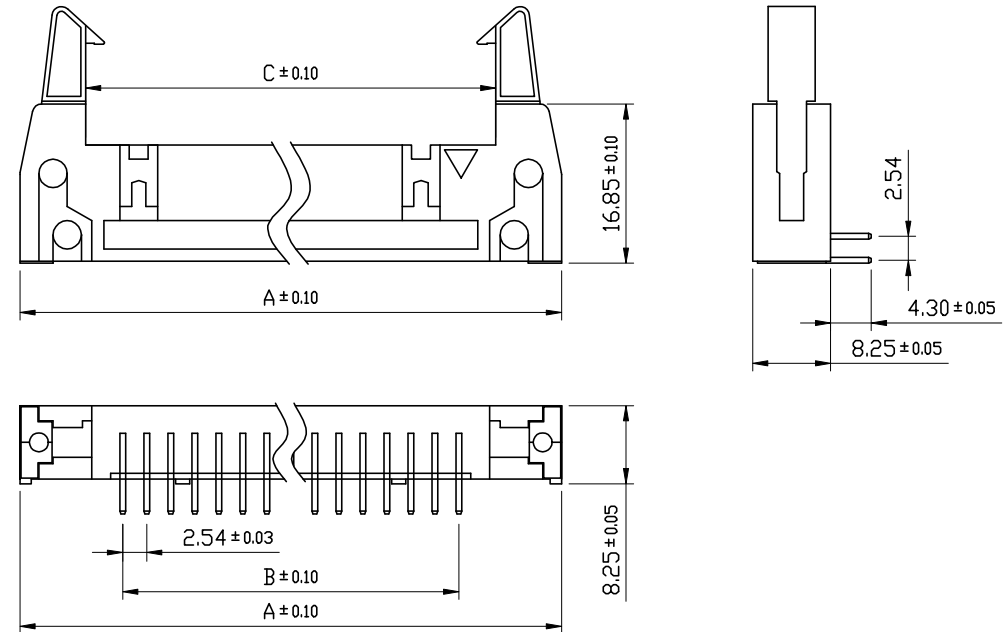
IJ-XXPIN-R Series

PART NO: IJ-XX-R

- Material:
Insulator: P.B.T. 30%Glass Fiber, UL94V-0
Contacts: Brass, Phos. Bronze,
Gold Flash Over Nickel
- Pitch: 2.54mm

SPECIFICATIONS

- Current Rating: 1A AC/DC
- Insulation Resistance: 1,000 mΩ min
- Withstand Voltage: 500V AC/min
- Temperature Range: -55° C~+105° C



CIRCUITS	PART NO.	DIMENSION			CIRCUITS	PART NO.	DIMENSION		
		A	B	C			A	B	C
10	IJ-10-R	31.90	10.16	18.00	30	IJ-30-R	57.40	35.56	43.40
12	IJ-12-R	34.60	12.70	20.54	34	IJ-34-R	62.38	40.64	48.48
14	IJ-14-R	36.98	15.24	23.08	40	IJ-40-R	70.00	48.26	56.10
16	IJ-16-R	39.52	17.78	25.62	50	IJ-50-R	82.70	60.96	68.80
20	IJ-20-R	44.60	22.86	30.70	60	IJ-60-R	95.60	73.66	81.82
24	IJ-24-R	49.68	27.94	35.78	64	IJ-64-R	100.70	78.74	86.90
26	IJ-26-R	52.15	30.48	38.32					

HO TIEN PRECISION INDUSTRY CO., LTD.
合田精密工業股份有限公司

RECORD OF REVISION / 修定內容	REV.BY / 修定者	REV. DATE / 修定日期	PART NO. / 型號	IJ-XXPIN-R	APPROVED BY / 核准	
			METERIAL / 材質		CHECKED BY / 審查	
			TREATMENT / 表面處理		DRAWN / 製圖	
			CUSTOMER / 客戶名稱		DATE / 製圖日期	
			UNIT / 單位	mm	SCALE / 比例	1/8
					DRAWING TYPE / 圖面種類	